

2

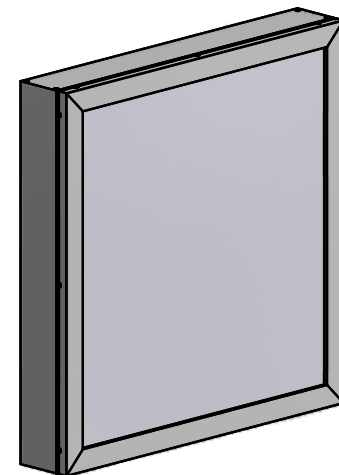
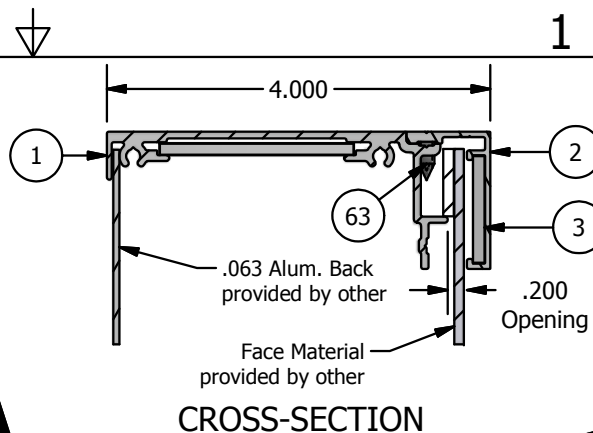
1

PARTS LIST

ITEM	PART #	DESCRIPTION	NOTES
1	K1391	Series 4 SF Access Body	Assembly
2	1694	Slide Cover	All Sides
3	5210	Corner Key	One (1) per corner
63	5168	Slide Cover Screw	Drill #8 countersink

NOTE: PRE-CUT KITS ARE NOT PRE-DRILLED.

(Holes shown in this drawing are for reference only.
Drilling of pilot holes are to be done by fabricator.)



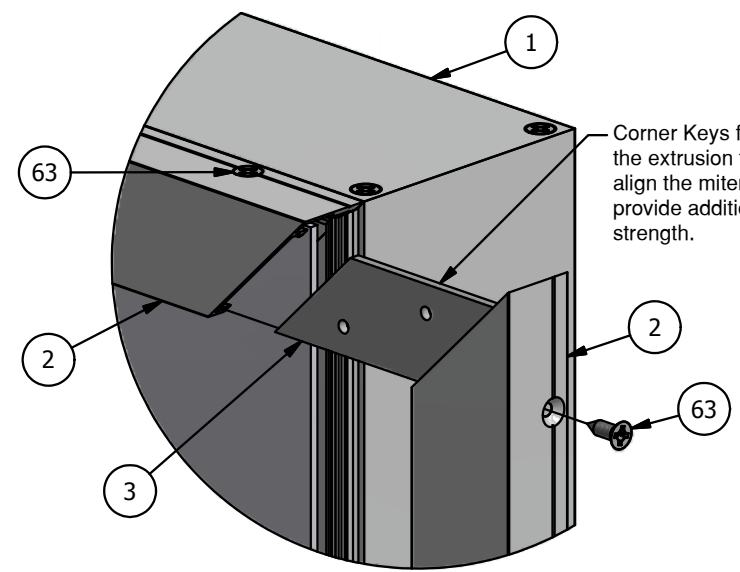
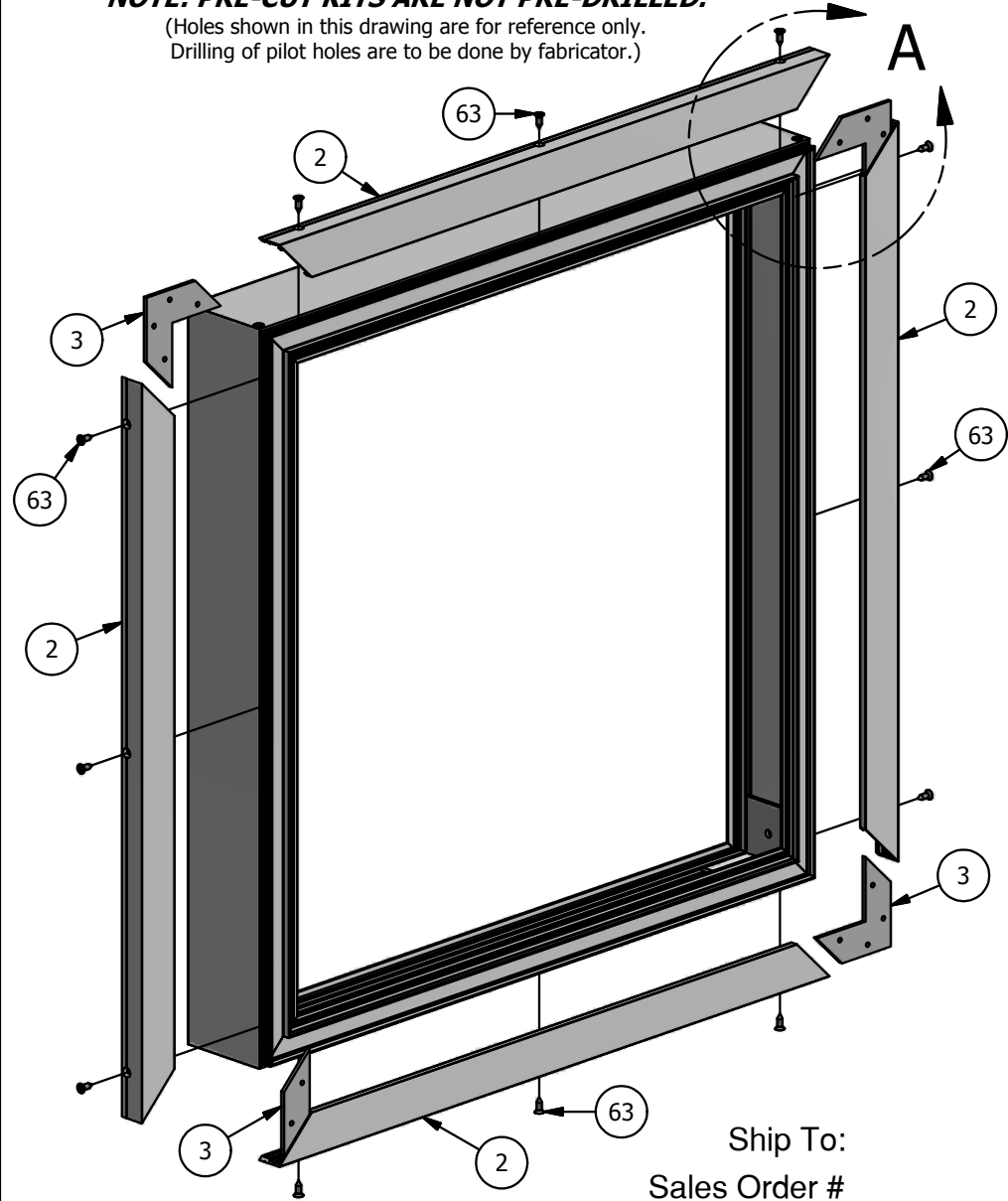
B

A

B

A

A



DETAIL A

Ship To:
Sales Order #

2

1

THIS DRAWING WAS CREATED AT NO CHARGE TO ASSIST YOU IN VISUALIZING OUR PROPOSAL. THE DRAWING HEREIN IS THE PROPERTY OF SIGNCOMP. PERMISSION TO COPY OR REVISE THIS DRAWING OR TO USE THIS DRAWING FOR PRODUCTION IS STRICTLY PROHIBITED AND CAN ONLY BE COPIED, REVISED OR USED FOR PRODUCTION WITH THE EXPRESSED WRITTEN PERMISSION OF SIGNCOMP.

Project Name: Series 4 SF Access Body w/ Slide Cover - Assembly

Sign Company: K1391/94

Part #:

Revision:

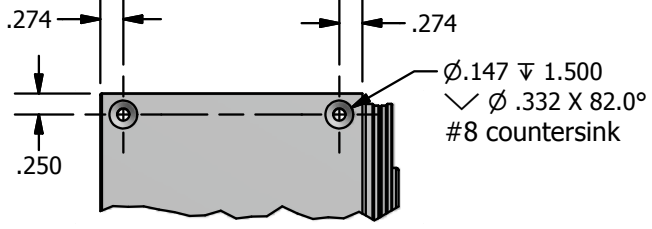
Date: 5/9/2017

Sheet: 1 of 1

Size: A

Drawing By: SBreihof

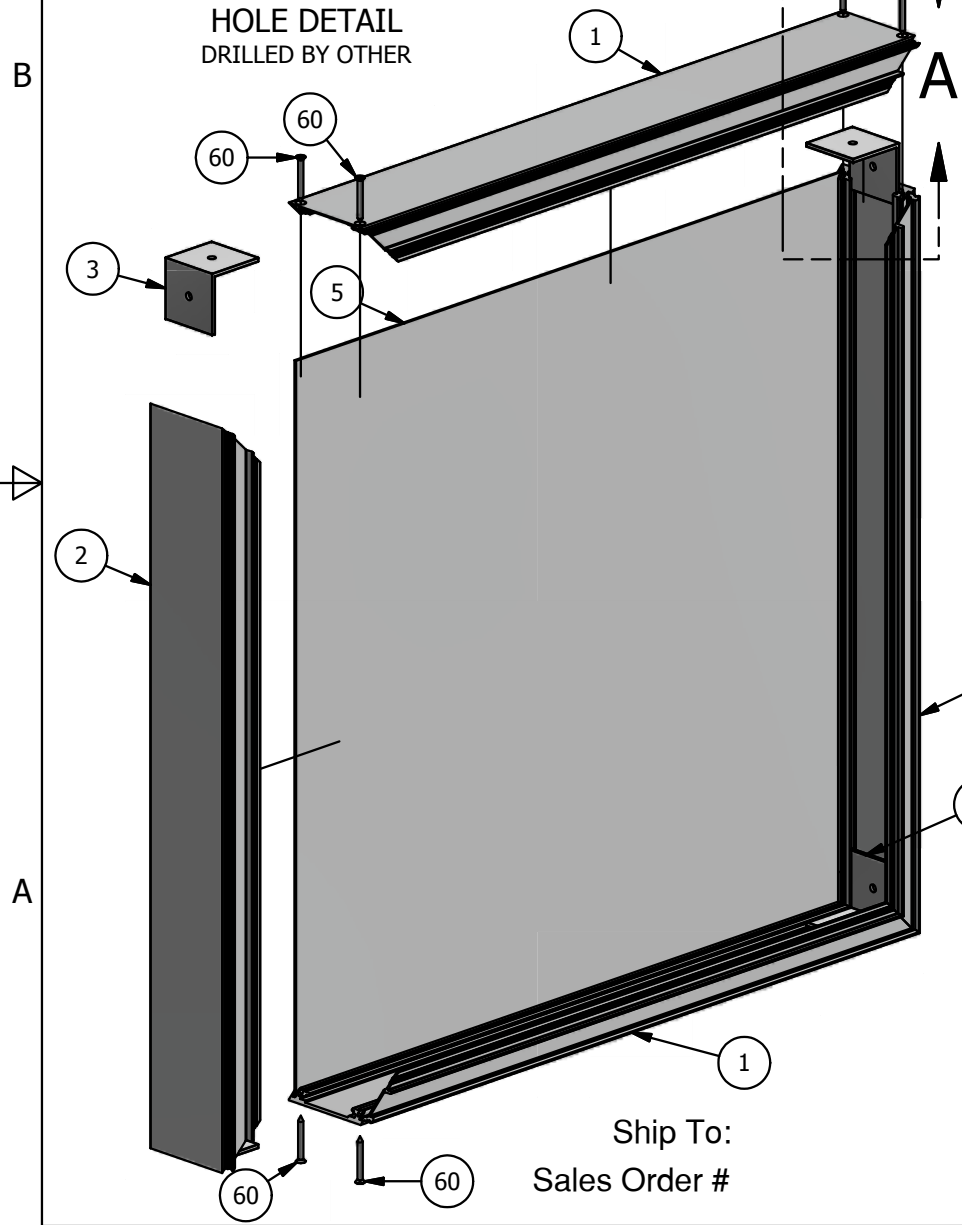
SignComp



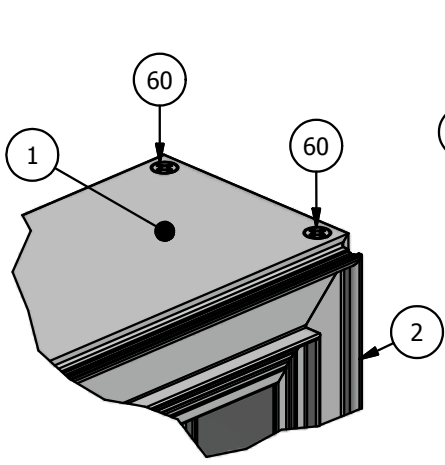
HOLE DETAIL
DRILLED BY OTHER

PARTS LIST			
ITEM	PART #	DESCRIPTION	NOTES
1	1391	Series 4 Single Face Access Body	Top & Bottom
2	1391	Series 4 Single Face Access Body	Sides
3	5340	Series 4 Access Body Corner Angle	One (1) per body corner
5		.063 Aluminum Back	By Other
60	5270	Access Body Corner Screw	See hole detail

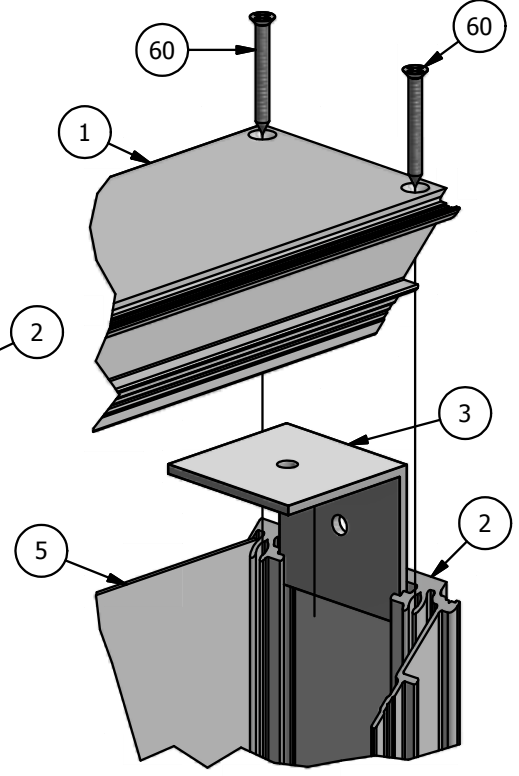
NOTE: PRE-CUT KITS ARE NOT PRE-DRILLED.
 (Holes shown in this drawing are for reference only.
 Drilling of pilot holes are to be done by fabricator.)



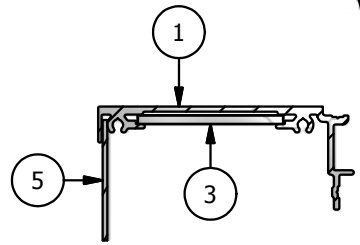
Ship To:
Sales Order #



DETAIL A-2



DETAIL A-1



CABINET SECTION-VIEW

THIS DRAWING WAS CREATED AT NO CHARGE TO ASSIST YOU IN VISUALIZING OUR PROPOSAL. THE DRAWING HEREIN IS THE PROPERTY OF SIGNCOMP. PERMISSION TO COPY OR REVISE THIS DRAWING OR TO USE THIS DRAWING FOR PRODUCTION IS STRICTLY PROHIBITED AND CAN ONLY BE COPIED, REVISED OR USED FOR PRODUCTION WITH THE EXPRESSED WRITTEN PERMISSION OF SIGNCOMP.

Project Name: **Series 4 Single Face Access Body**

Sign Company: **K1391**

Revision: _____

Date: **3/22/2017**

Sheet: **1 of 1**

Size: **A**

Drawing By: **SBreihof**

